

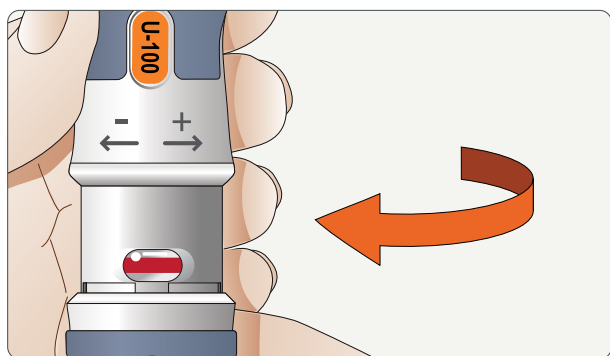
Troubleshooting

The InsuJet™ is a mechanical instrument which is designed and manufactured with greatest care. However, it may eventually fail to operate properly. Always make sure you have easy access to an alternative insulin delivery system.

This section is designed to provide you with tips on solving minor problems which you may encounter when you use the InsuJet™ system.

Red marking in the Dosage Window

A red marking will appear in the Dosage Window in case the device is accidentally winded beyond 50 units. To return to 50 units and below, first remove the Adaptor with the cartridge or vial from the Nozzle. Hold the back of the device and rotate the front in the direction of the minus “-” arrow, to reduce the dose level.



Wet injection

Excessive moisture at the administration site following insulin administration indicates that an incomplete dose of insulin was given. The cause of a wet injection is, in most cases, related to the injection technique. The main points to consider when perfecting your administration technique are the following:

- Keep the top of the Nozzle perpendicular (at an angle of 90°) relative to the administration site.
- Keep the InsuJet™ steady throughout the administration.
- After the injection, keep pressing the InsuJet™ onto the administration site for at least 5 seconds.
- Always ensure that there are no air bubbles in the Nozzle.

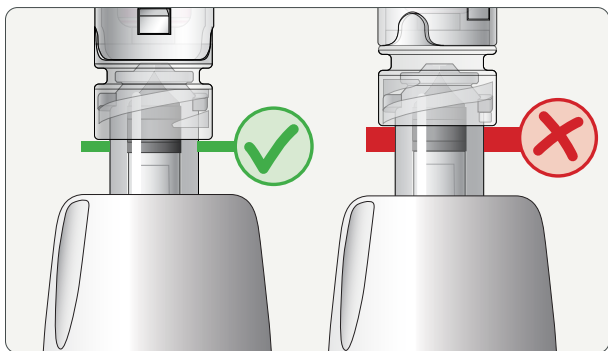
In case of a wet injection, you should monitor your blood glucose levels carefully and adjust your next dose accordingly. If you notice constant insulin leakage during administration, stop using the InsuJet™ immediately and revert to your alternative insulin administration method. Please contact your Diabetes Care Specialist.

Unable to aspirate insulin from insulin vial or cartridge

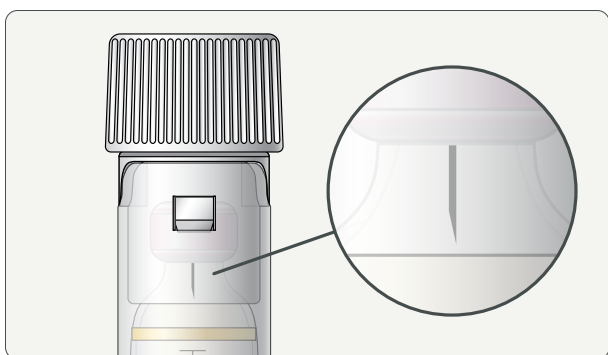
If you experience problems aspirating insulin from your cartridge or vial, please check the following three items:

Check if the Adaptor is correctly installed on the Nozzle. Look from the side and inspect the position of the black Plunger tip (inside the Nozzle), relative to the Adaptor.

Only a small section of the Plunger tip should be visible, as illustrated on the left side of the image. If a larger area of the Plunger tip is visible, firmly rotate the Adaptor clockwise, until it snaps in place.

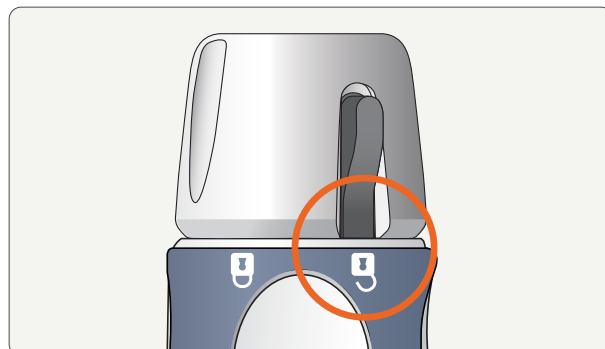


Check if the needle of the Adaptor pierced the septum of the cartridge or vial completely. The needle should be visible on the inside of the cartridge or vial. Please note that you can also smell the insulin once the needle fully pierced the septum.



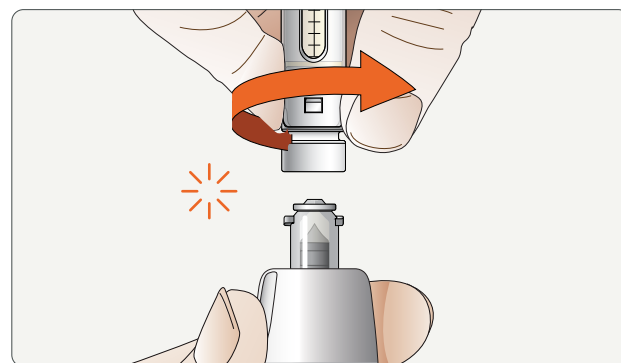
Unable to install the Nozzle into the InsuJet™

If you can't push the Nozzle into the Nozzle Lock, it may still be in the locked position. Before inserting the Nozzle, please ensure that the Nozzle Lock Switch points to the unlocked position.



Air inside the nozzle

If you experience problems drawing insulin from your cartridge or vial, it is likely that the Nozzle contains (an excessive amount of) air. To remove the air from the Nozzle, first remove the Adaptor with the cartridge or vial from the Nozzle. Keep the InsuJet™ upright. While holding the back of the device, rotate the front in the direction of the minus “-” arrow until the green marking is visible in the Dosage Window. Follow the steps described in the section ‘How to dose’ to draw insulin into the Nozzle.



Intended use:

The InsuJet™ insulin-jet administration system is intended for the subcutaneous jet injection of insulin in adults and children with Diabetes Mellitus who require insulin therapy.


Intended user:

Licensed health care professional (HCP) or self-injecting patients or caregivers after proper training obtained from HCP.

Cautions:

- Consult instructions for use before using this device.
- Consult a healthcare provider about your medical condition and appropriate treatment. Always follow the medication manufacturer's instructions for use, contraindications, warnings, and precautions.

For more information, please contact:

 Sol-Millennium Europe Sp. z o.o.
Warsaw HUB, Rondo Daszyńskiego 2B
00-843 Warsaw, Poland

 solm.com/insujet
insujet@solm.com

nuGen
MEDICAL DEVICES

Exclusive Distributor
SolM Building a Healthier Tomorrow

EMA-DC-620-1123 © Sol-Millennium Medical Group and Sol-Millennium Europe Sp. z o.o., 2023. All rights reserved. InsuJet, NuGen and NuGen logotype are trademarks of European Pharma Group BV and NuGen Medical Devices, Inc. Sol-Millennium and Sol M logotype are trademarks of Sol-Millennium Medical Group. Product images are not necessarily to scale. All product images are for illustration purposes only and may not be an exact representation of the product. Disclaimer: Some products may not be regulatory cleared/released for sale in all markets. Please contact the local Sol-Millennium sales office for current product assortment and availability. See Instructions For Use for full information, including indications, contraindications, warnings and precautions.

The content of this material is directed at and restricted to a professional audience only (Healthcare Professionals).

This material is distributed by Sol-Millennium Europe Sp z o.o. with a registered address at Twarda 18, 00-105 Warsaw, Poland, Registry Court: District Court for Warsaw, XIIIth Economic Department KRS 0000434783, EU VAT: PL5252535720, Share capital: 500.000 PLN.